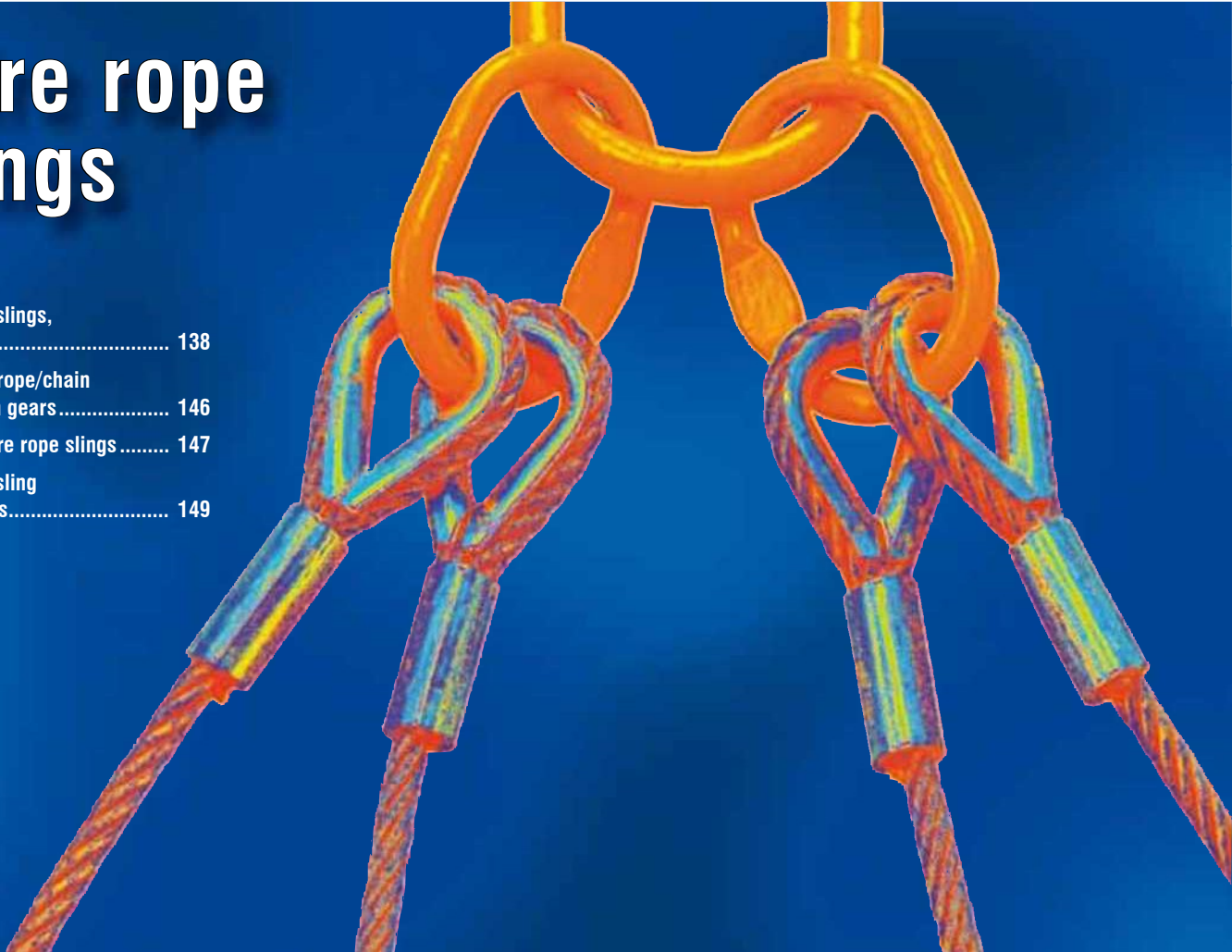


Wire rope slings

Wire rope slings, 1/2/4-leg	138
Combined rope/chain suspension gears	146
Endless wire rope slings	147
Wire rope sling accessories.....	149



■ **Competent and experienced**

Success in the rope business for over 430 years. Put your trust in our experience when it comes to the subject of our passion.

■ **High performance**

We will supply the correct wire rope sling for all your requirements. From a simple 8 mm wire rope sling with 2 eyes and 700 kg load capacity to a endless wire rope sling of 156 mm diameter and 716 t working load limit.

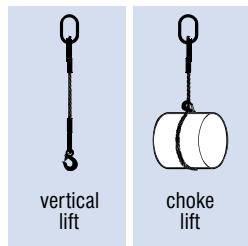
■ **Superior**

We are approved in accordance with EN ISO 9001! EN 13414-1 (Steel wire rope slings – Safety) recommends buying from a supplier who operates a quality assurance system of this kind in order to ensure that the required level of quality is achieved.

Wire rope slings, 1/2/4-leg

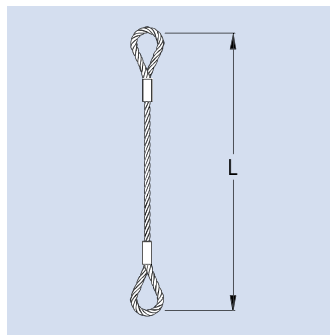
- ▶ Manufactured according to DIN EN 13414 part 1 & FSA recommendation
- ▶ Galvanised implementation resists corrosion
- ▶ High working load limit at low dead weight
- ▶ Attractive price/performance ratio
- ▶ Suitable for temperature range $-40\text{ }^{\circ}\text{C}$ to $+100\text{ }^{\circ}\text{C}$

WLL according to type of attachment



Wire rope slings, 1-leg with soft eyes

Benefit from the price advantage of our standard lengths!
We will be only too pleased to manufacture lengths for you other than the standard lengths illustrated. Please enquire.



For our wire rope slings, please observe the current raw material surcharge (RTZ) at www.pfeifer.de or enquire to us.

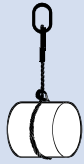
WLL kg		Nominal rope \varnothing mm		Length m								
				0.5	1.0	1.5	2.0	2.5	3.0	4.0	5.0	6.0
700	560	8	Reference no.	188532	188533	188534	188535	188536	188537	188538	188539	188540
1000	800	10	Reference no.	—	188543	188544	188545	188546	188547	188548	188549	188550
1500	1200	12	Reference no.	—	188553	188554	188555	188556	188558	188557	188559	188560
2000	1600	14	Reference no.	—	188563	188565	188566	188567	188564	188568	188569	188570
2700	2150	16	Reference no.	—	188573	188574	188575	188578	188579	188576	188577	188580
3150	2500	18	Reference no.	—	188583	188588	188589	188590	188584	188585	188586	188587
4000	3200	20	Reference no.	—	—	188594	188597	188598	188599	188593	188595	188596
5000	4000	22	Reference no.	—	—	188606	188607	188602	188603	188604	188605	188608
6300	5000	24	Reference no.	—	—	188611	188612	188613	188614	188615	188616	188617
7000	5600	26	Reference no.	—	—	—	188620	188621	188622	188623	188624	188625
8000	6400	28	Reference no.	—	—	—	188628	188629	188630	188631	188632	188633
11000	8800	32	Reference no.	—	—	—	188636	188637	188638	188639	188640	188641
14000	11200	36	Reference no.	—	—	—	—	188644	188645	188646	188647	188648
17000	13600	40	Reference no.	—	—	—	—	188651	188652	188653	188654	188655
21000	16800	44	Reference no.	—	—	—	—	—	188658	188659	188660	188661
25000	20000	48	Reference no.	—	—	—	—	—	188664	188665	188666	188667
29000	23200	52	Reference no.	—	—	—	—	—	—	188670	188671	188672
33500	26800	56	Reference no.	—	—	—	—	—	—	188675		

WLL
according to type of
attachment

Wire rope slings, 1-leg with soft eye and thimble eye



vertical
lift



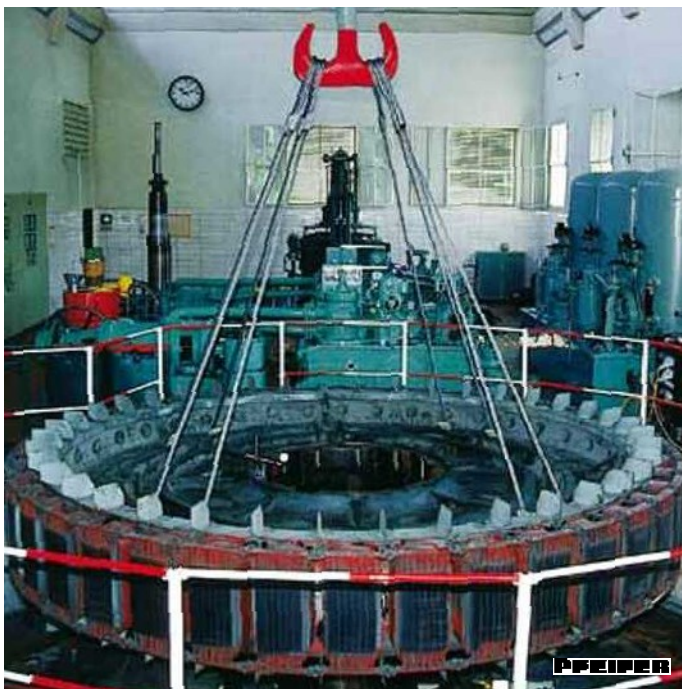
choke
lift



Please always specify the reference
number and effective length L when
ordering!



WLL kg		Nominal rope Ø mm	Reference no.
700	560	8	106413
1000	800	10	106414
1500	1200	12	106415
2000	1600	14	106416
2700	2150	16	106417
3150	2500	18	106418
4000	3200	20	106419
5000	4000	22	106421
6300	5000	24	106422
7000	5600	26	106424
8000	6400	28	106425
11000	8800	32	106426
14000	11200	36	106427
17000	13600	40	106428



A contribution to safety:

In companies where a large number of attachment devices with different working load limits are used, the question arises again and again for the user: **How much can this wire rope sling carry?** In order to prevent accidents due to overloading, the working load limit of our single-leg wire rope slings is stamped on a ferrule. We supply single and two-leg wire rope slings with suspension ring with a working load limit tag that provides you with the technical data that you need to know. You can also purchase this working load limit tag separately. (see page 150)

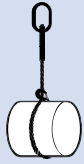


Wire rope slings

WLL
according to type of
attachment

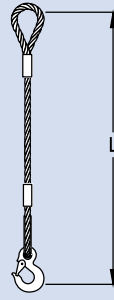


vertical
lift



choke
lift

Wire rope slings, 1-leg with soft eye and sling hook 315



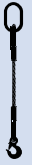
The dimensions can be found on
page 150

Please always specify the reference
number and effective length L when
ordering!

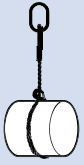


WLL kg		Nominal rope Ø mm	Reference no.
1500	1200	12	106680
2000	1600	14	106682
2700	2150	16	106683
3150	2500	18	106686
4000	3200	20	106688
5000	4000	22	106689
6300	5000	24	106690
7000	5600	26	106691

WLL
according to type of
attachment

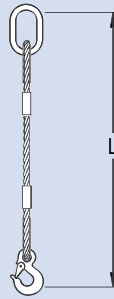


vertical
lift



choke
lift

Wire rope slings, 1-leg with master link and SIKI sling hook



The dimensions can be found on
page 150

Please always specify the reference
number and effective length L when
ordering!



WLL kg		Nominal rope Ø mm	Dimensions of the masterlink mm	Reference no.
700	560	8	160×90	106479
1000	800	10	160×90	106480
1500	1200	12	160×90	106481
2000	1600	14	160×90	106482
2700	2150	16	160×90	106483
3150	2500	18	160×90	106484
4000	3200	20	160×90	106485
5000	4000	22	160×90	106488
6300	5000	24	160×90	106489
7000	5600	26	180×100	106491
8000	6400	28	205×115	106492

WLL
according to type of
attachment

Wire rope slings, 1-leg with Flemish eyes

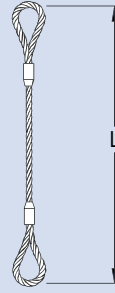


vertical
lift



choke
lift

Higher working load limit
Higher temperature range
100 % working load limit at -40 to 150 °C
90 % working load limit at 150 to 200 °C
75 % working load limit at 200 to 300 °C
65 % working load limit at 300 to 400 °C



Please always specify the reference
number and effective length L when
ordering!

WLL kg		Nominal rope Ø mm	Reference no.
750	600	8	106431
1150	920	10	106432
1700	1360	12	106433
2250	1800	14	106434
3000	2400	16	106435
3700	2960	18	106436
4600	3680	20	106437
5650	4520	22	106438
6700	5360	24	106439
7800	6240	26	106440
9000	7200	28	106441
11800	9440	32	106442
15000	12000	36	106443
18500	14800	40	106444



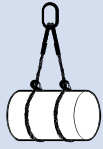
Wire rope slings

WLL
according to type of
attachment

Wire rope slings, 2-leg with DIN 82101 shackle

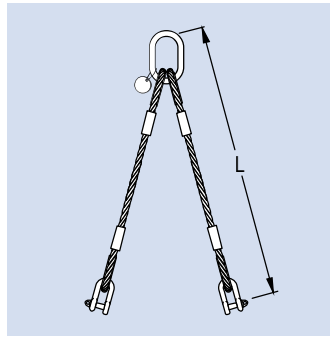


Maximum
angle of
inclination 60°



Maximum
angle of
inclination 60°

CE



The dimensions can be found on
page 227

Please always specify the reference
number and effective length L when
ordering!



WLL kg				Nominal rope Ø mm	Dimensions of the masterlink mm	Reference no.
0-45°	45-60°	0-45°	45-60°			
950	700	760	560	8	160×90	106695
1400	1000	1100	800	10	160×90	106696
2100	1500	1700	1200	12	160×90	106697
2800	2000	2250	1600	14	160×90	106699
3800	2700	3050	2150	16	160×90	106701
4400	3150	3500	2500	18	160×90	106703
5600	4000	4500	3200	20	160×90	106704
7000	5000	5600	4000	22	180×100	106705
8800	6300	7000	5000	24	205×115	106706
9800	7000	7800	5600	26	205×115	106707
11200	8000	9000	6400	28	270×140	106708
15000	11000	12000	8800	32	270×140	106709

WLL
according to type of
attachment

Wire rope slings, 2-leg with sling hooks

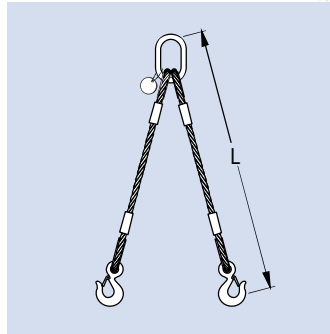


Maximum
angle of
inclination 60°



Maximum
angle of
inclination 60°

CE



The dimensions can be found on
page 149

Please always specify the reference
number and effective length L when
ordering!

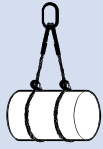


WLL kg				Nominal rope \square mm	Dimensions of the masterlink mm	Reference no.
0-45°	45-60°	0-45°	45-60°			
950	700	760	560	\square	160×90	106712
1400	1000	1100	800	10	160×90	106713
2100	1500	1700	1200	12	160×90	106714
2800	2000	2250	1600	14	160×90	106717
3800	2700	3050	2150	16	160×90	106719
4400	3150	3500	2500	18	160×90	106721
5600	4000	4500	3200	20	160×90	106725
7000	5000	5600	4000	22	180×100	106726
8800	6300	7000	5000	24	205×115	106727
9800	7000	7800	5600	26	205×115	106728
11200	8000	9000	6400	28	270×140	106729
15000	11000	12000	8800	32	270×140	106730

WLL according to type of attachment

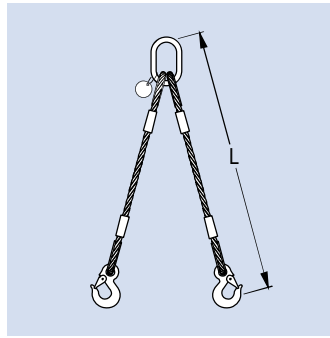


Maximum angle of inclination 60°



Maximum angle of inclination 60°

Wire rope slings, 2-leg with SIKAsling hooks



The dimensions can be found on page 149

Please always specify the reference number and effective length L when ordering!



WLL kg				Nominal rope Ø mm	Dimensions of the masterlink mm	Reference no.
0-45°	45-60°	0-45°	45-60°			
950	700	760	560	8	160×90	106732
1400	1000	1100	800	10	160×90	106733
2100	1500	1700	1200	12	160×90	106737
2800	2000	2250	1600	14	160×90	106743
3800	2700	3050	2150	16	160×90	106749
4400	3150	3500	2500	18	160×90	106755
5600	4000	4500	3200	20	160×90	106760
7000	5000	5600	4000	22	180×100	106761
8800	6300	7000	5000	24	205×115	106762
9800	7000	7800	5600	26	205×115	106763



Wire rope slings

WLL according to type of attachment



vertical lift

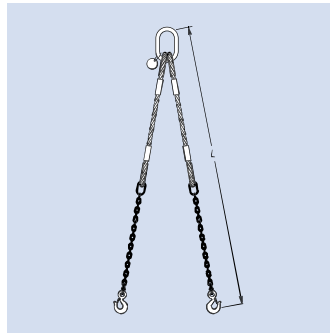


choke lift

Combined rope/chain suspension gear, 2-leg with HSW sling hooks

Wire rope sling combined with chain, DIN EN 818, part 1/2/4

The ideal and probably least expensive attachment device for particularly harsh areas of application, for example for wrapping around sharp-edged loads.



The dimensions can be found on page 150

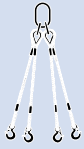
Please always specify the reference number and effective length L when ordering!



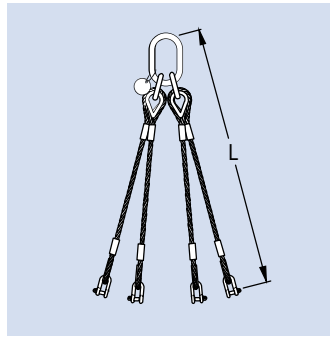
WLL kg				Nominal rope Ø mm	Nominal size of chain mm	Dimensions of the masterlink mm	Chain length -	Reference no.
0-45°	45-60°	0-45°	45-60°					
1400	1000	1100	800	10	■	160×90	1,7	156235
2800	2000	2240	1600	14	■	160×90	2,0	156236
3800	2700	3050	2150	16	10	160×90	2,3	156237

WLL according to type of attachment

Wire rope slings, 4-leg with DIN 82101 shackle



Maximum angle of inclination 60°



The dimensions can be found on page 227

Please always specify the reference number and effective length L when ordering!



WLL kg		Nominal rope Ø mm	Dimensions of the masterlink mm	Reference no.
0-45°	45-60°			
1450	1050	8	160×90	106881
2100	1500	10	160×90	106882
3150	2300	12	160×90	106883
4200	3000	14	180×100	106884
5700	4000	16	180×100	106885
6600	4700	18	180×100	106886
8400	6000	20	270×140	106887
10500	7500	22	270×140	106888
13200	9400	24	270×140	106889
14700	10500	26	270×140	106890
16800	12000	28	300×160	106891
23000	16500	32	300×160	106892

The specification of the working load limit for 4-leg suspension gears applies only in the case of symmetrical loading of all legs. In the case of asymmetrical load distribution, only two load-bearing legs may be counted in accordance with BGR 500, chapter 2.8/3.5.3.

A contribution to safety:

In companies where a large number of attachment devices with different working load limits are used, the question arises again and again for the user: **How much can this wire rope sling carry?** In order to prevent accidents due to overloading, we supply our single and two-leg wire rope slings with suspension ring with a working load limit tag that provides you with the technical data that you need to know. You can also purchase this working load limit tag separately on page 150.

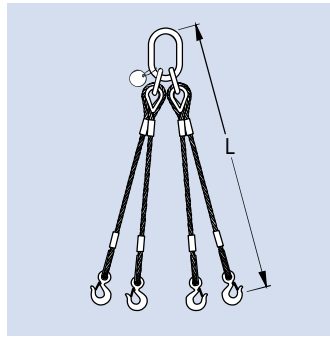


WLL according to type of attachment



Maximum angle of inclination 60°

Wire rope slings, 4-leg with sling hooks



The dimensions can be found on page 149

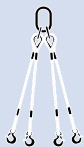
Please always specify the reference number and effective length L when ordering!



WLL kg		Nominal rope Ø mm	Dimensions of the masterlink mm	Reference no.
0-45°	45-60°			
1450	1050	8	160×90	106895
2100	1500	10	160×90	106896
3150	2300	12	160×90	106899
4200	3000	14	180×100	106900
5700	4000	16	180×100	106901
6600	4700	18	180×100	106902
8400	6000	20	270×140	106903
10500	7500	22	270×140	106904
13200	9400	24	270×140	106905
14700	10500	26	270×140	106906
16800	12000	28	300×160	106907
23000	16500	32	300×160	106908

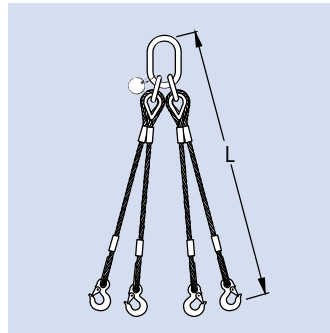
The specification of the working load limit for 4-leg suspension gears applies only in the case of symmetrical loading of all legs. In the case of asymmetrical load distribution, only two load-bearing legs may be counted in accordance with BGR 500, chapter 2.8/3.5.3.

WLL according to type of attachment



Maximum angle of inclination 60°

Wire rope slings, 4-leg with SIKAsling hooks



The dimensions can be found on page 149

Please always specify the reference number and effective length L when ordering!



WLL kg		Nominal rope Ø mm	Dimensions of the masterlink mm	Reference no.
0-45°	45-60°			
1450	1050	8	160×90	106911
2100	1500	10	160×90	106913
3150	2300	12	160×90	106915
4200	3000	14	180×100	106917
5700	4000	16	180×100	106919
6600	4700	18	180×100	106922
8400	6000	20	270×140	106923
10500	7500	22	270×140	106924
13200	9400	24	270×140	106926

The specification of the working load limit for 4-leg suspension gears applies only in the case of symmetrical loading of all legs. In the case of asymmetrical load distribution, only two load-bearing legs may be counted in accordance with BGR 500, chapter 2.8/3.5.3.



Wire rope slings

Combined rope/chain suspension gears

- ▶ For particularly harsh areas of application
- ▶ With the dimensionally-stable rope, the suspension gear can be simply pushed through under the load

A combined suspension gear is the ideal and most inexpensive attachment device for particularly harsh areas of application, e.g. when looping around sharp-edged loads. The wearing zones are equipped here with high-tensile chains, which guarantee a particularly long service life of this suspension gear.



WLL according to type of attachment

vertical lift

choke lift

Combined rope/chain suspension gear 1-leg with HSW sling hooks

Wire rope sling combined with chain, DIN EN 818, part 1/2/4



The dimensions can be found on page 150
Please always specify the reference number and effective length L when ordering!



WLL kg		Nominal rope Ø mm	Nominal size of chain mm	Chain length m	Reference no.
1000	800	10	6	1.7	156225
2000	1600	14	8	2.0	156226
2700	2150	16	10	2.3	156228

WLL according to type of attachment

basket lift
maximum angle of inclination 60°

Combined rope/chain suspension gear 1-leg with soft eyes

Wire rope sling combined with chain, DIN EN 818, part 1/2/4



Please always specify the reference number and effective length L when ordering!

WLL kg		Nominal rope Ø mm	Nominal size of chain mm	Rope length m	Reference no.
0-45°	45-60°				
1400	1000	10	6	2 x 1.5	156229
2800	2000	14	8	2 x 1.5	156231
3800	2700	16	10	2 x 1.5	156232
7000	5000	22	13	2 x 1.5	156234

Endless wire rope slings

acc. to EN 13414-3

Maximum loads and highest reliability

- ▶ With the assistance of grommets, weights up to 2,000 tonnes are possible when lifting and transporting heavy loads. The comparatively easy handling due to flexibility even for large diameters (up to 240 mm) should be particularly emphasised here.
- ▶ Different versions are available:
Endless laid / spliced eyes / fibre or steel core depending on requirements (fibre core for higher flexibility or steel core for even higher working load limits)
Fitted with bonded eyes, thimbles; if necessary with hooks or rings

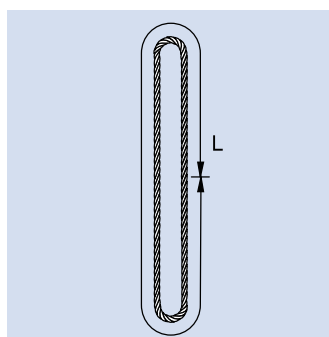
Working load limits up to 2,000 tonnes in vertical lifts.
For heavier loads can be coped with by combining several endless wire rope slings or by other kinds of lifting instead of vertical lifts.



WLL according to type of attachment

vertical lift

Endless wire rope slings
cable-lay design
in accordance with
DIN EN 13414-3
with fibre core




Please always specify the reference number and circumferential length L when ordering!

WLL kg	Nominal rope Ø mm	Minimum circumference m	Weight kg/m	Reference no.
2100	12	0.42	0.48	106581
3000	15	0.53	0.61	106586
4300	18	0.63	0.87	106593
6000	21	0.74	1.28	106601
7700	24	0.84	1.58	106608
9700	27	0.95	1.95	106618
11500	30	1.05	2.7	106626
14000	33	1.16	3.08	106632
16500	36	1.26	3.75	106636
19500	39	1.37	4.43	106638
22500	42	1.47	5.25	106642
29500	48	1.68	6.98	106645
37200	54	1.89	7.95	106648
46000	60	2.11	10.05	106650



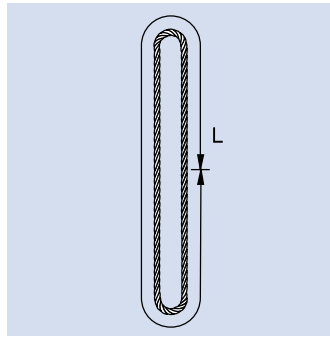
Wire rope slings

WLL according to type of attachment



vertical lift

**Endless wire rope slings
cable-lay design
in accordance with
DIN EN 13414-3
with steel core**
Strength grade 1960 N/mm²

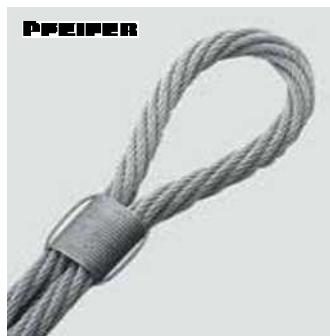


Please always specify the reference number and circumferential length L when ordering!

Highest working load limit. top quality!

WLL kg	Nominal rope Ø mm	Minimum circumference m	Weight kg/m	Reference no.
9500	24	0.84	1.82	213524
12500	27	0.95	2.31	213525
15000	30	1.05	2.85	213526
18500	33	1.16	3.79	213565
21500	36	1.26	4.51	213566
25500	39	1.37	5.3	213567
29600	42	1.47	6.15	213568
39000	48	1.68	8.03	213569
49000	54	1.89	10.2	213570
60000	60	2.15	12.53	213550
75000	66	2.36	15.15	213551
92000	72	2.57	18.08	213571
112000	78	2.78	21.23	213553
132000	84	2.99	24.6	213572
158000	90	3.21	28.2	213573
178000	96	3.42	32.1	213574
216000	102	3.64	36.23	213575
252000	108	3.85	40.56	213576
290000	114	4.06	45.3	213577
333000	120	4.29	50.18	213578
380000	126	4.49	55.35	213579
434000	132	4.71	60.75	213580
560000	144	5.14	72.3	217093
716000	156	5.56	84.75	217094

Examples



Integrated eyes



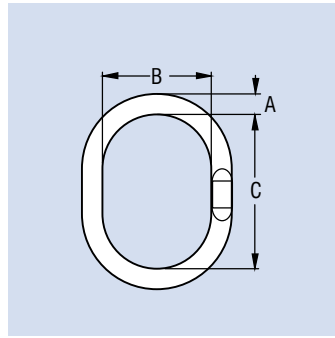
Integrated thimbles

Grommet

Wire rope sling accessories

Oval ring

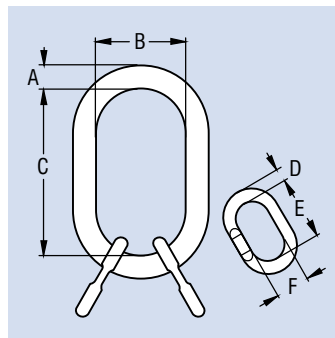
Painted version.



WLL kg	Weight approx. kg	Dimensions in mm			Reference no.
		A	B	C	
1600	0.30	12	60	120	112716
2500	0.36	13	60	120	112717
4000	0.84	17	90	160	112718
6500	1.07	19	90	160	112720
8000	1.61	22	100	180	112722
11500	2.37	25	115	205	112725
11800	3.78	28	140	270	112727
16000	4.69	31	140	270	112729
24000	6.83	36	155	285	112730
25000	8.90	40	160	300	112731
31500	12.73	45	180	340	112732
45000	17.26	51	215	390	112733

Ring suspension gear, three-part

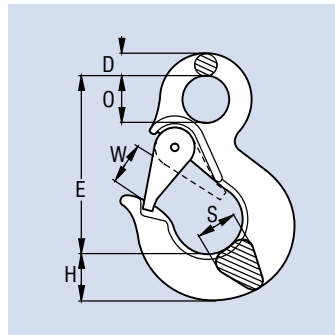
Painted version.



WLL kg	Weight approx. kg	Dimensions in mm						Reference no.
		A	B	C	D	E	F	
2400	0.81	13	60	120	12	85	45	112737
3200	1.56	17	90	160	13	120	60	112738
4200	1.79	19	90	160	13	120	60	112739
8000	3.29	22	100	180	17	160	90	112742
12000	7.00	28	140	270	22	180	100	112746
17000	9.43	31	140	270	25	205	115	112747
25000	18.28	40	160	300	31	270	140	112750
32000	42.00	50	190	350	45	340	180	112751
50000	65.00	63	220	430	50	350	190	112752

SIKA sling hook

Dip-coated version, hook safety latch galvanised
This hook is equipped with a particularly stable safety latch.

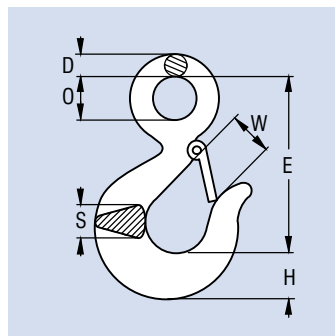


WLL kg	Weight approx. kg	Dimensions in mm						Reference no.
		D	E	H	O	S	W	
500	0.5	10	93	27	25	20	20	112680
630	0.6	10	95	28	26	21	22	135039
1000	0.8	13	105	29	27	24	24	112681
1600	1.0	14	115	31	28	25	28	112687
2000	1.1	14	123	32	32	28	29	112692
2500	1.5	16	137	37	34	29	34	135041
3200	1.6	17	138	40	34	30	34	112693
4000	2.8	20	164	43	40	34	40	135042
5000	3.6	23	188	44	50	38	45	112694
6300	4.5	24	213	51	52	39	50	135043
8000	5.4	26	216	57	54	39	57	112695
10000	8.1	34	234	61	60	45	61	112696

Safety hook with eye

Dip-coated version

Further sizes on enquiry.

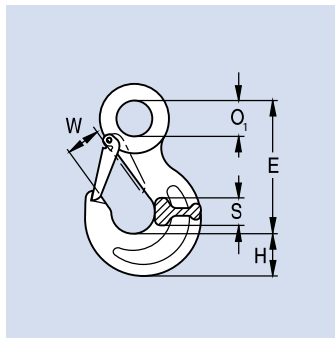


WLL kg	Weight approx. kg	Dimensions in mm						Reference no.
		D	E	H	O	S	W	
1250	0.34	8	82	20	19	15	22	112582
1600	0.40	10	93	22	23	17	23	112584
2500	0.55	11	104	26	28	20	25	112592
3200	1.00	13	119	30	31	22	28	112594
5400	1.60	16	146	38	39	30	34	112596
8000	3.30	22	187	47	51	36	43	112598
11500	5.90	29	230	57	62	42	53	112600
16000	8.40	33	255	66	72	50	58	112602
22000	15.30	40	318	76	89	61	65	112604
30000	27.20	45	357	93	89	77	75	112606



Wire rope slings

Sling hook 315

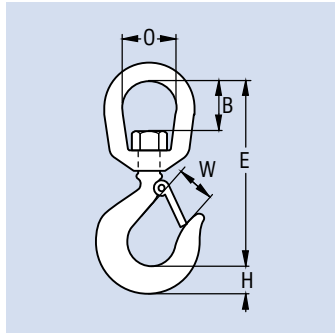


WLL kg	Weight approx. kg	Dimensions in mm					Reference no.
		E	H	O	S	W	
1120	0,25	85	20	20	16	20	112624
2000	0,59	117	28	28	21	27	112635
3150	1,18	157	30	36	24	36	112636
5300	2,13	186	43	46	30	38	112637
8000	3,88	227	52	56	38	48	112638

Safety hook with swivel eye

Painted version.

Application note: for positioning only,
but not for rotation under load.

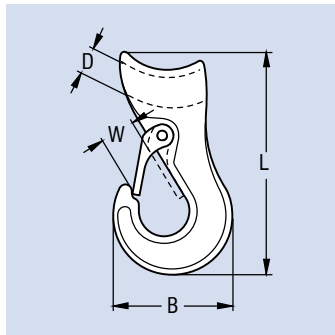


WLL kg	Weight approx. kg	Dimensions in mm					Reference no.
		B	E	H	O	W	
1250	0,43	28	116	20	31	22	110884
1600	0,85	36	145	22	40	23	110886
2500	1,40	49	165	26	47	25	110888
3200	1,51	45	175	29	47	28	110890
5400	3,70	55	214	37	64	34	110892
8000	6,60	70	264	46	78	43	110894
11500	10,25	74	308	58	90	53	110896
16000	15,80	86	344	67	96	58	110898
22000	26,00	114	427	78	122	80	110900
30000	60,00	125	505	99	135	95	110902

Sliding choker hook with safety latch

Red painted version, hook safety latch
galvanised.

Sliding hooks are particularly suitable
for bundling, for example for loads such
as bar goods, pipes, sacks, boards,
timber etc.



WLL kg	for nominal rope Ø mm	Weight approx. kg	Dimensions in mm				Reference no.
			B	D	L	W	
1250	Ø9-Ø13	0,7	70	17	128	19	112697
2000	Ø14-Ø16	1,0	80	22	147	22	112700
3000	Ø17-Ø19	1,8	103	27	174	30	112703
5000	Ø20-Ø26	3,4	133	33	210	40	112706

Working load limit identification tag For wire rope slings



for wire rope slings	Reference no.
1-leg	110196
multi-leg	110198

Thimbles

(see pages 224 – 225)



Shackle

(see pages 226 – 227)

